

# SERIES 006 Double Duty Motor



MOTOR



The universal 5 rear mounting hole configuration and the double boss with 4 drilled and tapped mounting holes on each boss mean *no additional labor or sheet metal work!*

## Evaporator/Condenser

Motors & Armatures, Inc. proudly introduces the Electric Motors & Specialties, Inc. new ECM for refrigerated case evaporator and condenser applications, the Unitronix Double Duty. The Unitronix Double Duty is an electronically commutated motor that brings outstanding energy savings to the refrigeration market in the form of a direct drop-in replacement for practically all unit bearing motors. No additional labor or sheet metal work is required to replace an existing shaded pole unit bearing motor with a Unitronix Double Duty.

Heat in a refrigerated space has always been a necessary evil in the food marketing industry. Lights, motors and defrost heating elements are the culprits. But, heat shortens food storage life and adds to the load placed on the refrigeration system. The new Unitronix Double Duty dramatically reduces (by as much as 75%) the waste heat generated by refrigerated case evaporator motors.

The Unitronix Double Duty is the latest in a long line of innovations by EM&S, a 35 year leader in developing energy saving motor designs for the commercial refrigeration industry. EM&S motors are manufactured in the U.S.

### features:

- Special wide temperature range lubrication system
- High capacity oil reservoir spiral grooved shaft for efficient distribution of oil to the bearing surface
- Mounting hardware included
- Water shield included
- Tapped & Drilled Mounting Holes:

#### Universal Evaporator Mount

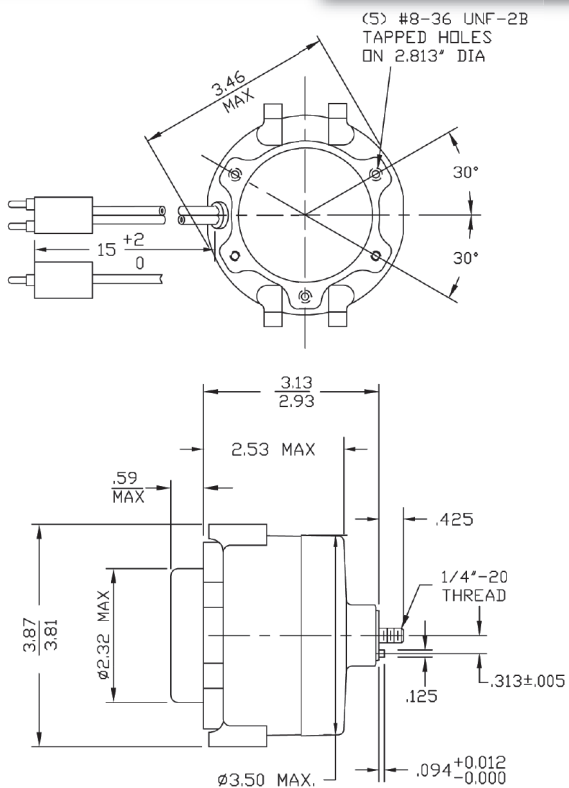
- Standard 3-Hole
- Custom 4-Hole Hussmann Style

#### Universal Condenser Mount

- Double Boss

### specifications:

- 1550 RPM Standard
- cast iron
- unit bearing
- EMF P-2-1A Lyall Power Plug
- 15" leads
- UL file no. E128044



MARS NO.	Applications	WATTS	OUTPUT VOLTS	AMPS	NOMINAL OSE	ROT RPM	MARS PACK
00621	Evaporator/Condenser	6-12	115	.25	CW	1550	1
00621 Bulk	Evaporator/Condenser	6-12	115	.25	CW	1550	6
00622	Evap/Cond, 90° Lyall Plug	6-12	115	.25	CW	1550	1
00624	Evaporator/Condenser	14-16	115	.50	CW	1550	1
00624 Bulk	Evaporator/Condenser	14-16	115	.50	CW	1550	6
00625	Evap/Cond, 90° Lyall Plug	14-16	115	.50	CW	1550	1



The Nations Largest Master Distributor of Aftermarket Replacement Parts & Accessories For The HVAC/R Industry